

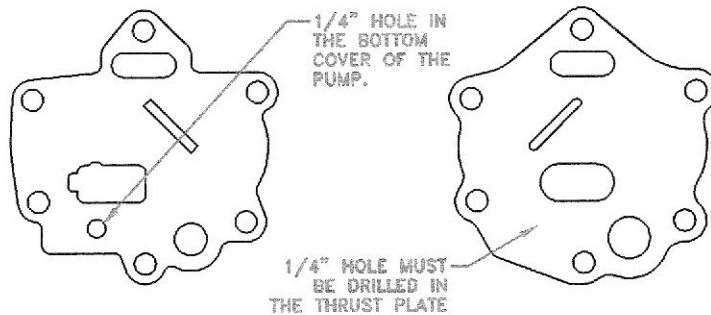
ATTENTION

M20106
REV. B

THESE INSTRUCTIONS MUST BE FOLLOWED IN ORDER FOR PROPER INSTALLATION OF THE P-20I KIT IN 1961-'63 BUICK AND OLDSMOBILE 215 ALUMINUM V-8 APPLICATIONS.

THE BOTTOM COVER OF THE OIL PUMP HAS A 1/4" HOLE THAT IS NOT IN THE THRUST PLATE OR THE GASKET. (SEE ILLUSTRATION)

DRILL A 1/4" HOLE IN THE GASKET AND THRUST PLATE USING THE TEMPLATE PROVIDED. ON THE BACK OF THIS SHEET.



DRILL TEMPLATE

